



Features and Benefits

- PCI 2.1 compliant, 32 Bits, 33 MHz PCI bus
- ANSI/IEEE 1596-1992 Scalable Coherent Interface (SCI) standard compliant
- Compatible with Dolphin Link Controllers
- Chaining (Read/Write) DMA Engine
- Up to 4096 map entries in offchip SRAM
- 512 KByte page size compatible
- Hostbridge capability (PCI arbiter, Event reporter)
- Read prefetching/write gathering
- B-Link™ Compliant

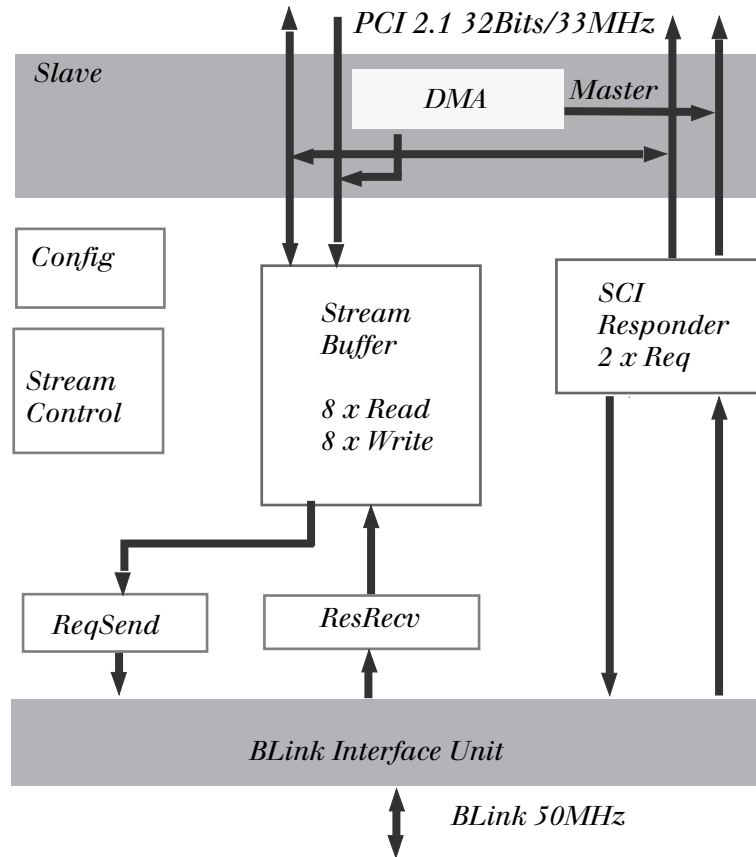
Dolphin's PCI-SCI Bridge Chip (PSB) is a unique protocol converter ideally suited for server clustering and high performance system area network applications.

The PSB-32 is designed to meet the requirements for high availability clustering and remote I/O applications. In a unique architecture combining both direct memory access (DMA) and remote memory access (RMA), high performance message passing protocols and transparent bus bridging operations are supported. The PSB chip is based on the ANSI/IEEE Scalable Coherent Interface (SCI) standard.

By use of the DMA controller chunks of memory can be copied directly between PCI buses in a single copy operation with no need for intermediate buffering in adapter cards or buffer memories. This feature greatly reduces latency and lowers overhead of data transfers. The DMA controller supports both read and write operations.

The remote memory access (RMA) feature of the PSB enables ultra-low latency messaging and low overhead and transparent I/O transfers. In RMA mode, PCI bus memory transactions are converted into corresponding SCI bus memory transactions allowing two physically separate PCI buses to appear as one. This feature allows applications to send data between system memories without the use of operating system services, thus greatly reducing latency and overhead.

The PSB has built-in address translation, error detection and protection mechanisms to support highly reliable connections.



Technical Specifications

PCI Specification

PCI Specification 2.1
32 bits, 33 MHz operation

B-Link Specification

64 bits, 50 MHz operation
400 Mbytes/sec bandwidth

SCI Specification

ANSI/IEEE 1596-1992 Scalable Coherent
Interface (SCI) compliant

Packaging and Power

313 Ball Grid Array
3 Watts
3.3V or 5V I/O

Operating Temperature

Operating Temperature: 4°C–32°C
Relative Humidity: 5%–95% non-condensing

Performance

104 MBytes/sec RMA
73 MBytes/sec DMA

Product Code

PSB-32

Product no.

D664

Dolphin Interconnect Solutions Offices:

Dolphin Headquarters USA:
3609 East Thousand Oaks Blvd, Suite 209
Westlake Village, CA 91362-3624

Phone:
(805) 371-9493
Fax:
(805) 371-9785

Dolphin USA:
111 Speen Street
Framingham, MA 01701-2090

Phone:
(508) 875-3030
Fax:
(508) 875-1517

Dolphin Europe:
Olaf Helsetts vei 6
0621 Oslo, Norway

Phone:
+ 47 23 16 70 00
Fax:
+ 47 23 16 71 80

Internet Information:
E-mail: info@dolphinics.com
World Wide Web: <http://www.dolphinics.com>

© 1998 by Dolphin Interconnect Solutions, Inc. All rights reserved.
Specifications subject to change without notice. *LinkController* is a trademark of Dolphin Interconnect Solutions. All other brand or product names are trademarks or registered trademarks of their respective holders.